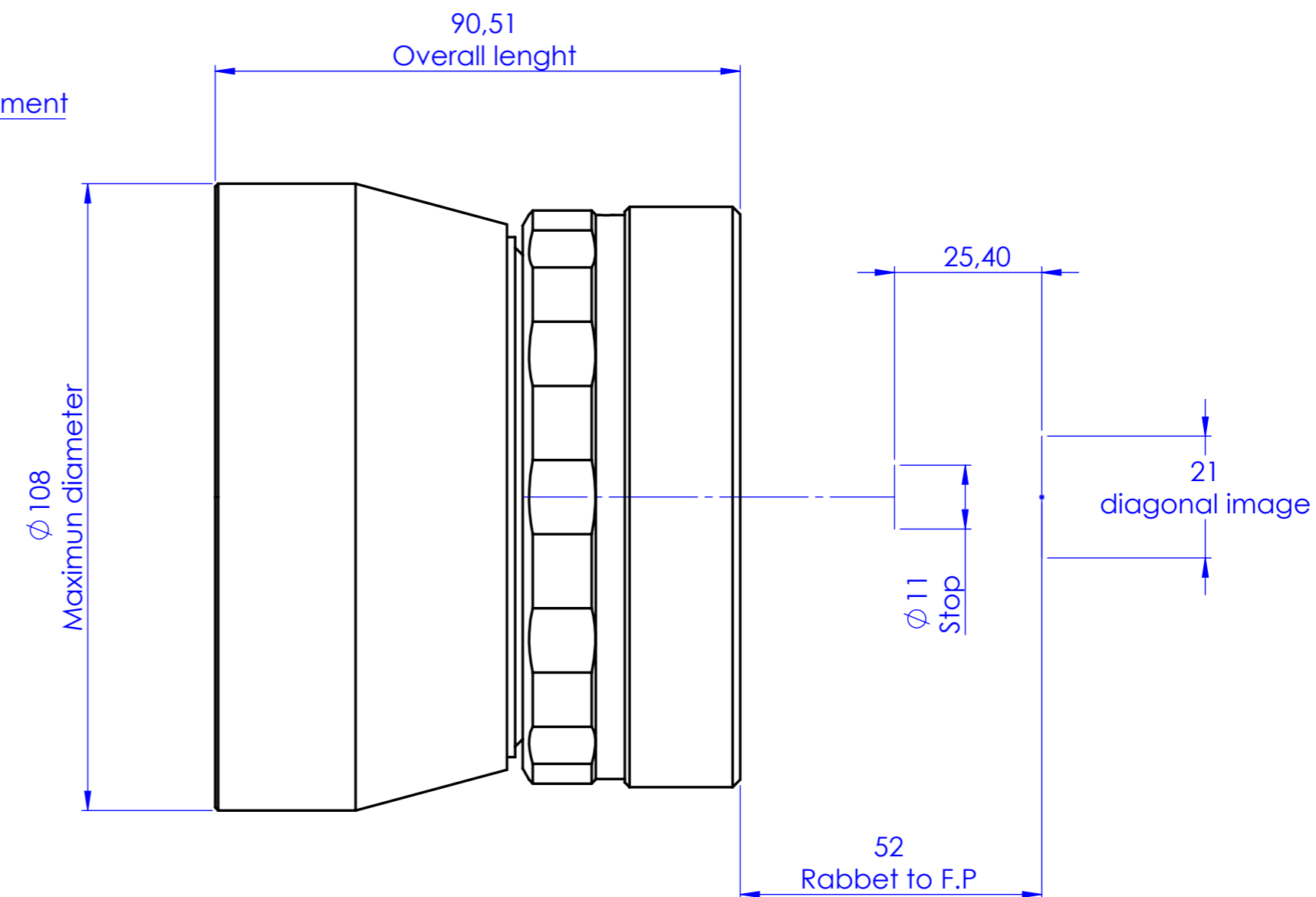
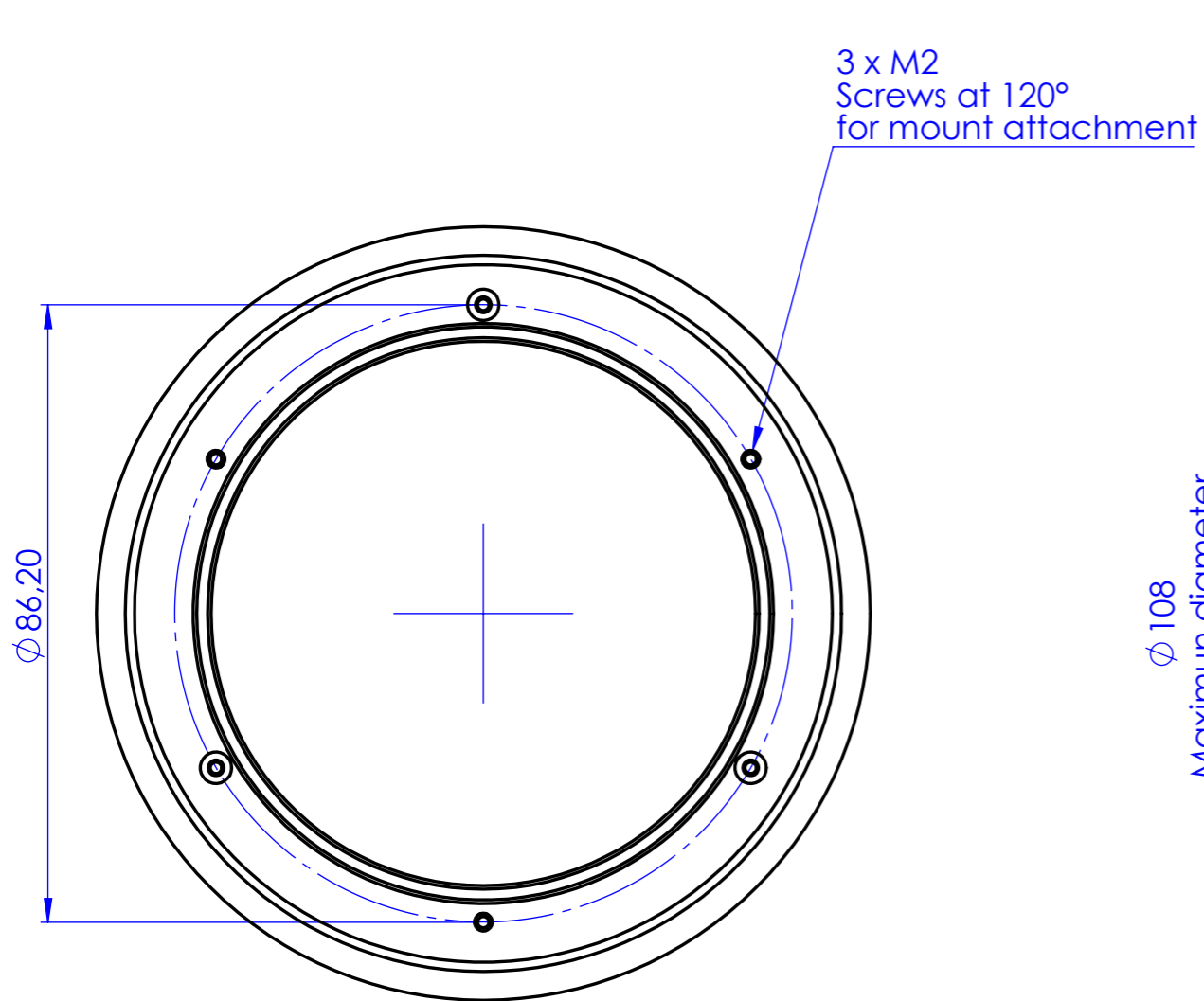
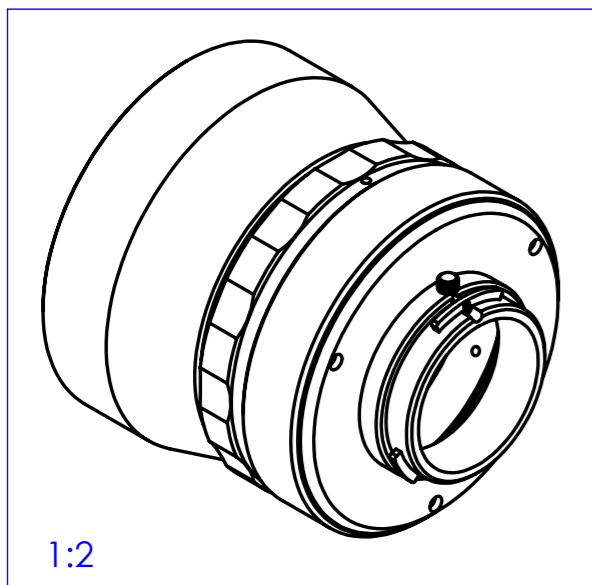
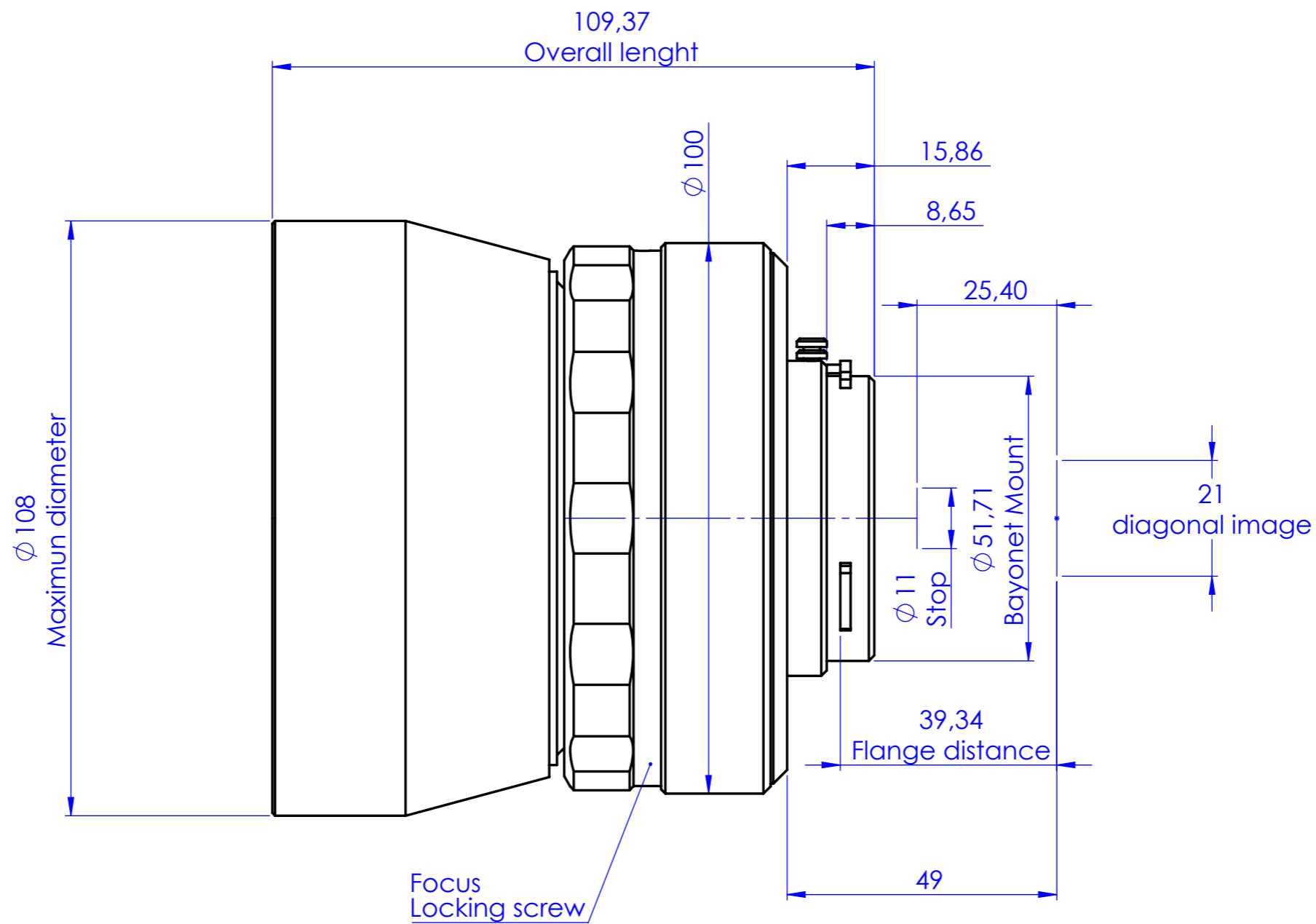


Rev No.	Description	Date	Name
B	Aggiunta tavola senza mount	12/01/17	Rodella



Material	N.A		Mass	1060 g	Scale	1:1	
Surface treatment	N.A		Part No.	CO71298			
Geometrical tolerance (ISO 2768-2)			Class	K	Undimensioned bevels	0,5x45°	
Linear tolerance (ISO 2768-2)			Class	m	Undimensioned radii	R 0.5	
0.5 ±3	>3± 6	>6± 30	>30± 120	>120 ±400	>400± 1000	>1000 ±2000	>2000 ±4000
±0.1	±0.1	±0.2	±0.3	±0.5	±0.8	±1.2	±2
 OPTO ENGINEERING <small>THE T. BOZZENTH COMPANY</small>			Date	Name	Drawing No.	Sheet	
			Designed	07/08/13	A. Vismara	DP71298-B	1/2
			Drawn	09/03/16	P. Rodella		
OPTO ENGINEERING S.r.l. - Mantova Italy - Tel. +39 0376 699111 - www.opto-engineering.com			<small>Secret and confidential - All rights reserved - No copy, dissemination or circulation is allowed unless specifically authorized in writing by OPTO ENGINEERING S.r.l. - Any violation shall be legally prosecuted.</small>				

Rev No.	Description	Date	Name
B	Aggiunta tavola senza mount	12/01/17	Rodella



Material	N.A		Mass	1060 g	Scale	1:1
Surface treatment	N.A		Part No.	CO71298		
Geometrical tolerance (ISO 2768-2)	Class	K	Undimensioned bevels	0,5x45°		
Linear tolerance (ISO 2768-2)	Class	m	Undimensioned radii	R 0,5		
0,5 ±3	>3± 6	>6± 30	>30± 120	>120 ±400	>400± 1000	>1000 ±2000
±0,1	±0,1	±0,2	±0,3	±0,5	±0,8	±1,2
			Date	Name	Drawing No.	Sheet
			Designed	07/08/13	A. Vismara	DP71298-B
			Drawn	09/03/16	P. Rodella	
			Checked			
			<i>Secret and confidential - All rights reserved - No copy, dissemination or circulation is allowed unless specifically authorized in writing by OPTO ENGINEERING S.r.l. - Any violation shall be legally prosecuted.</i>			

all dimensions are in mm